

Item ID: 287



Chaparral Pedestal

Manual Operation Digitizer Drafting Base (Model CHP-MAN) for GTCO Digitizers: Calcomp Drawing Board & GTCO Super L. Mounting brackets are required for mounting the digitizer to the pedestal. The Chaparell is manual tilt and manual lift recommended for digitizer sizes: 24"x36", 30"x36", 36"x48". Also works with 44"x60".

Price **\$995.00**

Manual Tilt and Lift

Bundled Price: \$895.00

Item ID: X-J5A



XJ5A Digitizer Pedestal

XJ-5A Dakota Pedestal: Basic table with smooth turning crank with precision rack & pinion adjusts with gas spring table height from 28.5 to 44.5 inches; tilt angles from 0 to near 90 degrees; includes Levelers or optional casters for mobility. See dimensional info and diagram below. Weight: 70 lbs. (4 Caster set recommended).

Price **\$1059.00**

Expandable to XJ 1000 A for \$850.00

Bundled Price: \$945.00

Item ID: XJ-1000A



XJ 1000A Digitizer Table

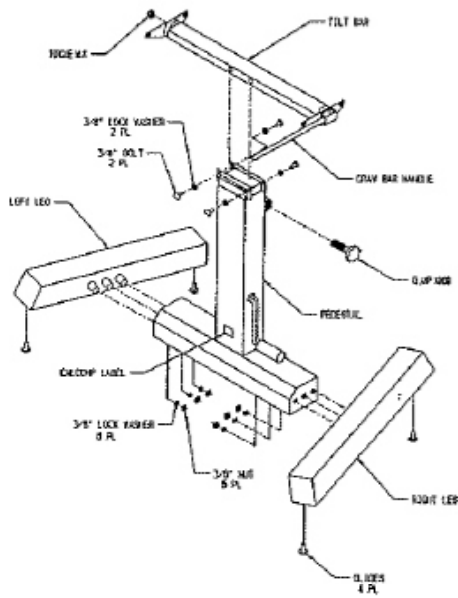
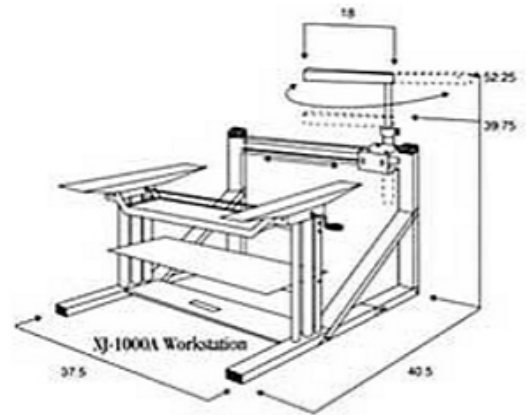
XJ-1000A Dakota Workstation: Includes XJ-5A; smooth turning crank adjusts desktop and digitizer workstations; single monitor arm and keyboard swivels 180 degrees to easily adjust to your needs; sliding monitor arm supports 14 to 27 inch monitors; adjustable computer shelf, small footprint. Weight: 138 lbs. (6 Caster set recommended).

Price **\$1899.00**

Expandable to 2 Monitor Shelves for \$300

Bundled Price: \$1,599.00

XJ-1000A



Chapparral